

4" Housings for 12V Bi-Pin MR16 LED Lamp



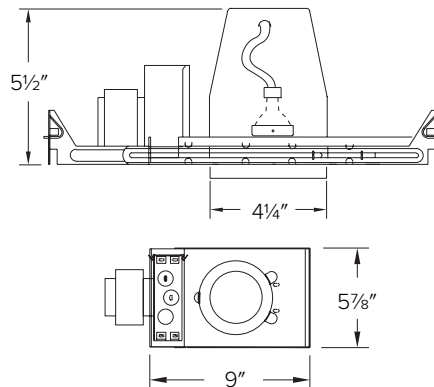
EL1499LDICA
Magnetic Transformer

EL1499LDICEA
Electronic Transformer

4" New Construction

IC Airtight for Insulated Ceilings

Features GU5.3 Bi-Pin socket for use with Bi-Pin LED MR16 lamps.
For New Construction installation.



- INPUT VOLTAGE** 120V AC
- TRANSFORMER** Step-down 120V to 12V included
- WATTAGE** 14W Max
- CAPTIVE HANGER BARS** Span 24". Can be repositioned at 90°. Includes Real Nail
- 5 1/2" HEIGHT** Allows for use in 2x6 Construction
- ADJUSTABLE HOUSINGS** Accommodates up to 1 1/4" Ceiling thickness
- AIRFLOW REQUIREMENTS** Meets restricted airflow (Per ASTM E-283)
- DAMP LOCATION** UL Listed
- WET LOCATION** UL Listed with Shower Trims
- DIRECT CONTACT WITH INSULATION** UL Listed
- FEED THROUGH** UL Listed



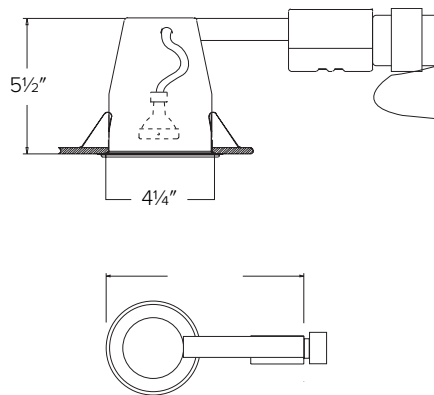
EL1499LDRICA
Magnetic Transformer

E1499LDRICEA
Electronic Transformer

4" Remodel

IC Airtight for Insulated Ceilings

Features GU5.3 Bi-Pin socket for use with Bi-Pin LED MR16 lamps.
For Remodel installation.



- INPUT VOLTAGE** 120V AC
- TRANSFORMER** Step-down 120V to 12V included
- WATTAGE** 14W Max
- 5 1/2" HEIGHT** Allows for use in 2x6 Construction
- ADJUSTABLE HOUSINGS** Accommodates up to 1 1/4" Ceiling thickness
- AIRFLOW REQUIREMENTS** Meets restricted airflow (Per ASTM E-283)
- DAMP LOCATION** UL Listed
- WET LOCATION** UL Listed with Shower Trims
- DIRECT CONTACT WITH INSULATION** UL Listed
- FEED THROUGH** UL Listed

Bi-Pin MR16 LED Lamp

MR16LD
12V Power, 90+ CRI, Dimmable
500lm
3000K
7W



NOTE:
Major lamp manufacturers 12V Bi-Pin MR16 LED Lamps can also be used in our 3" Housings.